



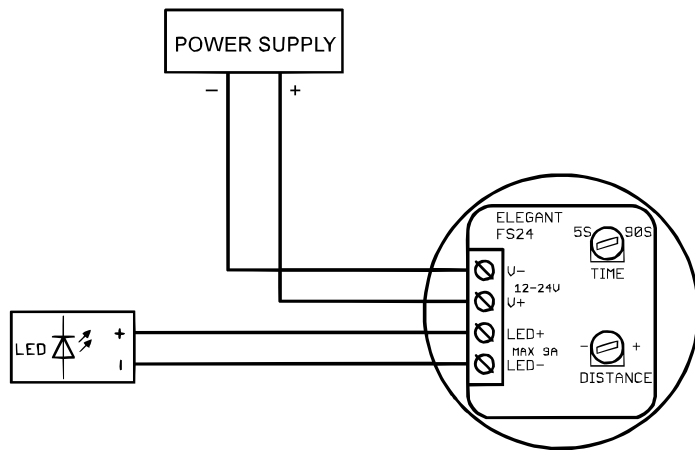
FS24 PROXIMITY SWITCH



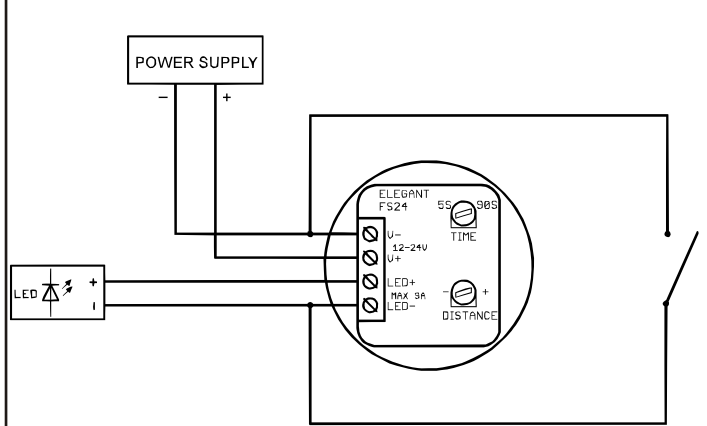
The FS24 proximity switch is used to automatically turn on the lighting for a specified time. It is designed to detect a person climbing the stairs or passing through the corridor. The switch uses a Sharp reflection sensor, which makes its operation reliable. It has an adjustable activation sensitivity (the distance at which it should react) and the time for which the lighting will be turned on (from 5 to 90 seconds). The lighting is turned on and off smoothly (brightening and dimming). The sensor works by sending an invisible beam towards the detected object. This ray is reflected from an object (e.g. a human leg) and returns to the sensor, which allows it to be detected. No mirrors opposite the sensor are required. Objects are only detected straight ahead (narrow angle). When the switch detects an object, the red LED on the front of the sensor will light up. The switch is available in white and black versions. The device can work with LED amplifiers.

THE SWITCH IS SUITABLE FOR INSTALLATION IN A REGULAR 60mm JUNCTION BOX

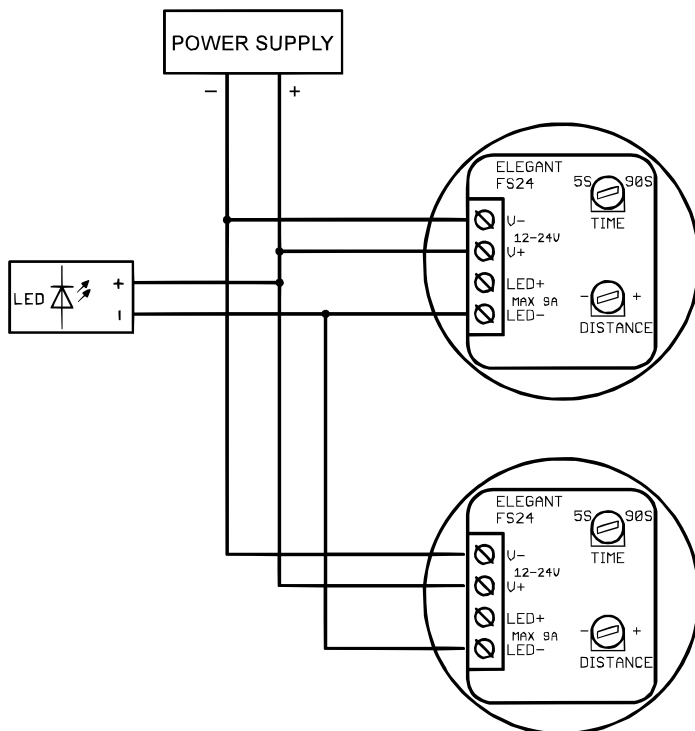
Example connection of proximity switch to LED strip and power supply.



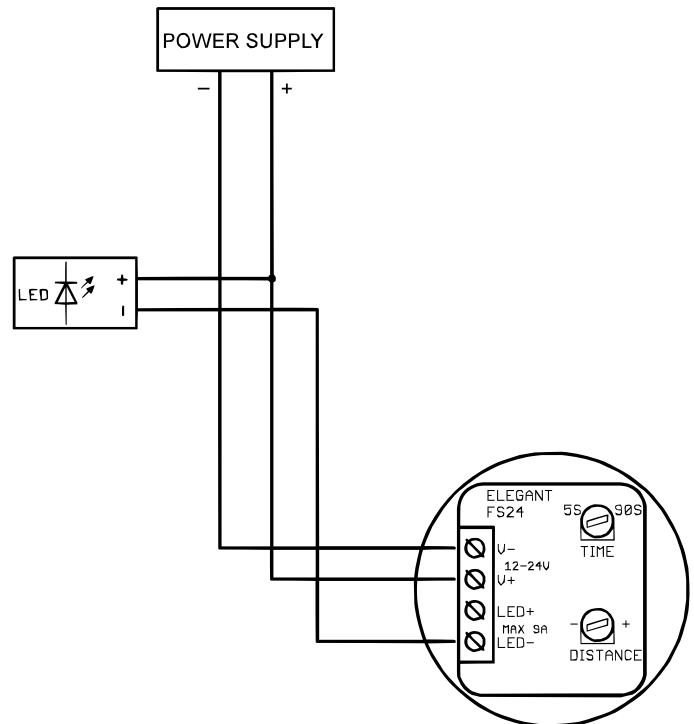
Switching on using an additional switch (If we want to use both the wall switch and the FS24 proximity switch)



Connection when two sensors are used to turn on the same lighting.



Three-wire connection of one sensor.



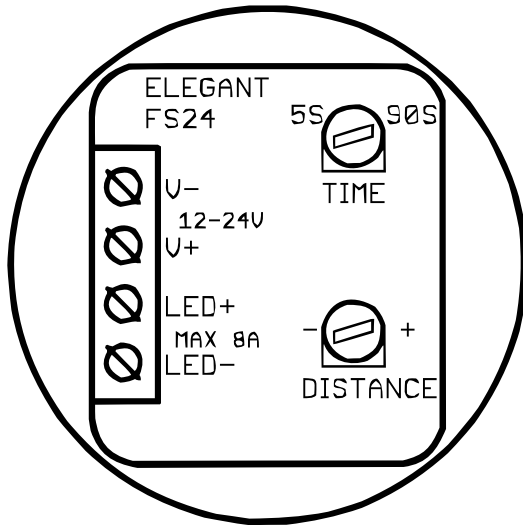
Adjustable operating distance.

Using a small flat screwdriver, gently turn the potentiometer marked "DISTANCE" on the back of the switch.

By turning it clockwise, we increase the sensitivity - the sensor will detect objects from a greater distance. Note - setting the sensitivity too high may cause the switch to trigger continuously.

Adjusting the lighting switch-on time.

Turn the potentiometer marked "TIME" gently on the back of the switch. By turning it clockwise, you increase the time for which the lighting will turn on. The adjustment range is from 5 to 90 seconds.



Device parameters.

- supply voltage: 12..24V 40mA
- dimensions diameter x depth: 69 x 35mm
- output load: 9A
- maximum distance of detected objects: 140cm
- minimum distance of detected objects: 35cm
- angle of detected objects: only objects in front of the sensor

Required operating conditions of the device:

- ambient temperature from +1°C to +40°C
- relative humidity from 30% to 75%
- the device can only be installed by a person with appropriate permissions

Required storage conditions for the device:

- only in closed rooms where the atmosphere is free from vapors and corrosive substances.
- ambient temperature -30°C to +40°C, air humidity: 30% to 90% (no condensation)

Disposal of the device: the device must not be disposed of with regular waste. Unnecessary or used product should be returned to special collection points waste sorting centers run by city authorities.

The manufacturer bears no responsibility for possible consequences resulting from incorrect installation, improper use of the device, failure to follow the operating instructions and carry out repairs yourself.

